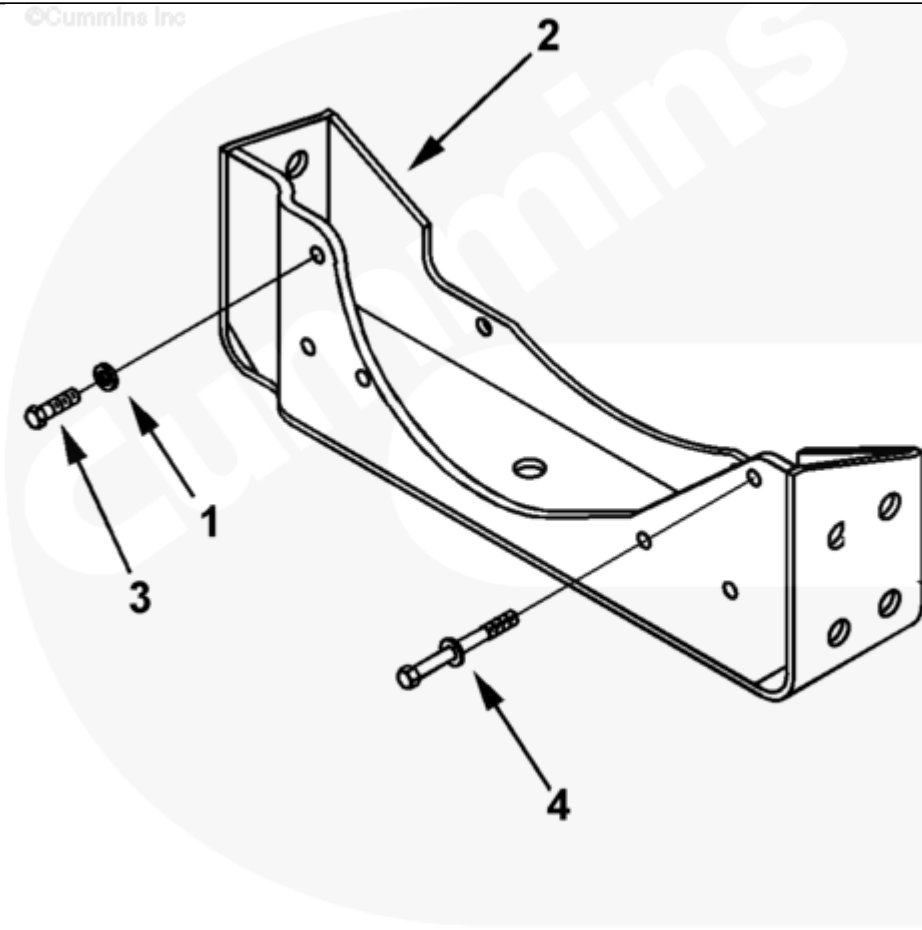




Parts Catalog - Option Detail

Electronic Parts Catalog - Option Detail				
Option	Group	Graphic	Film Card	Date
EM2065-02	16.03	em201gv	II	06-MAY-00
Engines	ISM CM570, ISM CM570/870, ISM CM875, ISM CM876, ISM CM876 E, ISM11 CM876 M103, ISM11 CM876 SN, M11 CELECT, M11 CELECT PLUS, M11 MECHANICAL, QSM11 CM570, QSM11 CM876			

©Cummins Inc



em201gv

[SMALL](#) | [MEDIUM](#) | [LARGE](#)

Cart	Ref No	Part Number	Part Description	Required	Remarks
View My Cart					
		EM2065-02	Front Engine Support		
					Front Engine Support
					Support Supplier: Cummins/
					Customer

					Support Style: Marine
					Support Material: Fabricated
					Steel
					Mounting Height: Customer
					Supplied
					Mounting Width: Customer
					Supplied
					The Cummins Supplied Support
					Provides 4-Bolt Pads on Each
					Side of the Engine to Attach
					a Customer Supplied Custom
					Support
<input type="checkbox"/>	1	203518	Plain Washer	1	3/8 inch
<input type="checkbox"/>	2	4020197	Front Engine Support	1	
<input type="checkbox"/>	3	3820988	Hexagon Head Cap Screw	1	M10 x 1.50 x 35
<input type="checkbox"/>	4	3892105	Captive Washer Cap Screw	5	M10 x 1.50 x 100